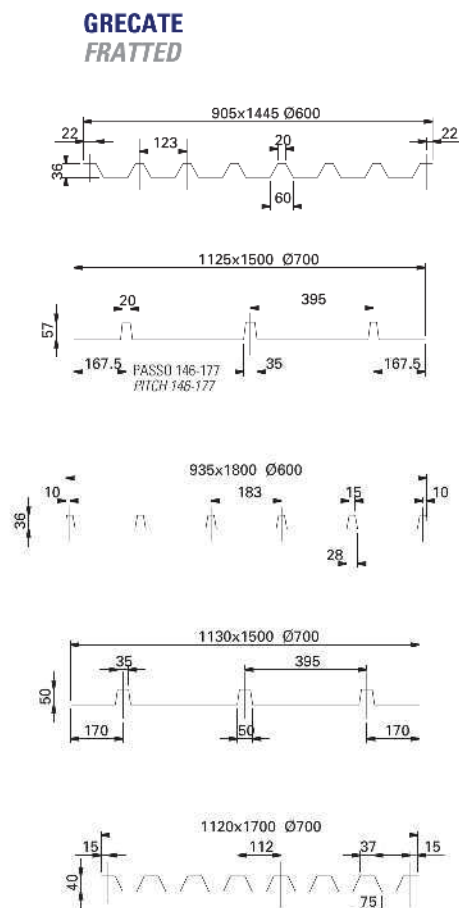
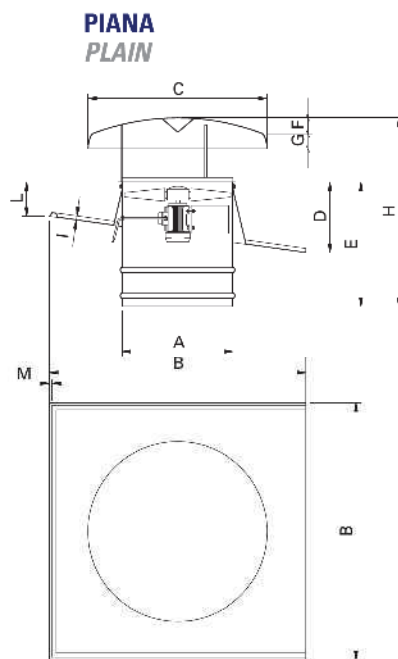
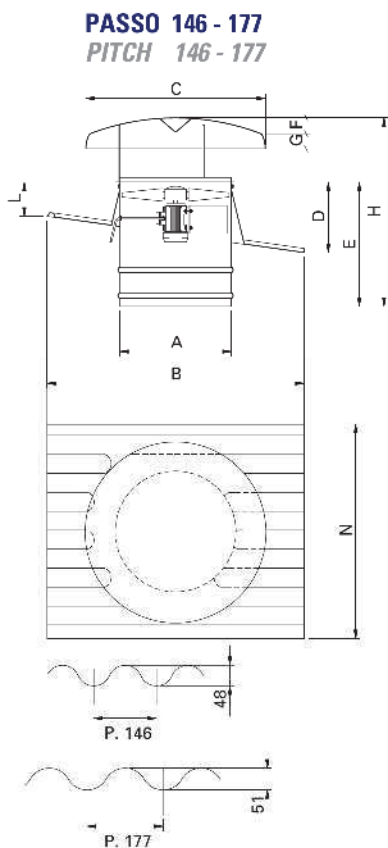


TE Dimensioni d'ingombro

Overall dimensions



CONVERSA COPERTURA IN VETRORESINA - PASSO 146/177
FIBREGLASS COVERING VALLEY - PITCH 146/177

MODELLO TYPE	øA	B	C	D	E	F	G	H	I	L	M	N	P	ø Vent.
40/74 D		1500											146	
40/74 E	415	1200 1500	840	330	570	75	70	900		235		820	146-177 177	400
50/74 D		1500											146	
50/74 E	515	1224 1500	840	400 355	570	75	70	900		285 200		1050 920	146-177 177	500
60/74 C - 60/74 D - 60/76 F		1500											146	
60/78 F - 60/84 A - 60/84 C	615	1224	985	355	570	140	90	1000		200		1050	146-177	600
60/86 D		1500											177	
70/84 B - 70/86 D		1500											146	
70/86 F - 70/88 E	715	1500	1090	355	570	75	45	1000		200		1100	146 177	700

TE Dimensioni d'ingombro

Overall dimensions

CONVERSA PIANA CON BORDO PER TEGOLE E TERRAZZI FLAT VALLEY WITH EDGE FOR ROOFING TILES AND TERRACES

MODELLO TYPE	øA	B	C	D	E	F	G	H	I	L	M	N	P	ø Vent.
40/74 D - 40/74 E	415	800	840	330	570	75	70	900	20	245	10			400
50/74 D - 50/74 E	515	1000	840	330	570	75	70	900	20	230	10			500
60/74 C - 60/74 D - 60/76 F 60/78 F - 60//84 A 60/84 C - 60/86 D	615	1000	985	330	570	140	90	1000	20	230	10			600
70/84 B - 70/86 D 70/86 F - 70/88 E	715	1270x1240	1090	355	570	75	45	1030	20	230	10			700

CONVERSA DOPPIA PENDENZA CON PASSO 177 PER TEGOLE CON PENDENZA 28,6% DOUBLE SLOPE VALLEY PITCH 177 AND FLAT VALLEY FOR ROOFING TILES - GRADIENT 28,6%

MODELLO TYPE	øA	B	C	D	E	F	G	H	I	L	M	N	P	ø Vent.
60/74 C - 60/74 D - 60/76 F 60/78 F - 60//84 A 60/84 C - 60/86 D	615	1200	985	370	570	140	90	1000		370		1080	177	600

CONVERSA PER CAPANNONI AD ARCATI PARABOLICA - FRECCIA mm 25 - PASSO 146/177 VALLEY FOR FACTORY BUILDINGS WITH PARABOLIC ARCADE - CAMBER mm 25 - PITCH 146/177

MODELLO TYPE	øA	B	C	D	E	F	G	H	I	L	M	N	P	ø Vent.
60/74 C - 60/74 D - 60/76 F		1500											146	
60/78 F - 60//84 A - 60/84 C 60/86 D	615	1200	985	295	570	140	90	1000		195		1040	146/177 177	600

CONVERSA PER COPERTURA IN LASTRE DI LAMIERA - PASSO 75 COVERING VALLEY PLATES - PITCH 75

MODELLO TYPE	øA	B	C	D	E	F	G	H	I	L	M	N	P	ø Vent.
40/74 D - 40/74 E	415	1400	840	440	570	75	70	900		290		895	75	400
50/74 D - 50/74 E	515	1400	840	340	570	75	70	900		190		895	75	500